

DEEP CYCLE AGM



AGM DEEP CYCLE DATA/SPEC SHEETS





Corona, CA -Headquarters



Augusta, GA



Evans, GA

AGM DEEP CYCLE BATTERY DATA & SPECIFICATION SHEETS

6-Volt AGM Deep Cycle Batteries

US AGM 2000	5
US AGM 2224	6
US AGM 6V260	7
US AGM 6V27	8
US AGM 305	9
US AGM L16	10

8-Volt AGM Deep Cycle Batteries

US AGM 8V170	12
--------------	----

12-Volt AGM Deep Cycle Batteries

US AGM U1	14
US AGM 24	15
US AGM 27	16
US AGM 31	17
US AGM 12V140	18
US AGM 12V150	19
US AGM 12V240	20
US AGM 8D	21

ADDITIONAL CHARGING recommendations

At U.S. Battery, we pride ourselves on providing our distributors and global partners with dependable products and reliable support information that will allow each end user to feel confident they've made the right choice when using any of our world-class sealed AGM Deep Cycle batteries.

This booklet contains a comprehensive compilation of data and technical information. With a history of excellence spanning from our humble beginnings in 1926 to the present, we feel confident that this data will further demonstrate the validity of the industry's trust in our premium products. We offer a variety of power solutions to a wide range of applications and industries all backed by a solid worldwide warranty.

Should you require additional information, please visit WWW.USBATTERY.COM

All of our Deep Cycle AGM batteries are specifically manufactured for U.S. Battery under our guidelines assuring our customers they are being provided the highest quality AGM batteries available.



US AGM 2000
DATA SHEET
 AGM Deep Cycle 6 -Volt



Application: Wherever Sealed, Leak Proof, Deep Cycle 6-volt batteries are needed.

Dimensions: 10.24" (260mm)L
 7.09" (180mm)W
 10.79" (274mm)H

Type: Sealed Non-Spillable Lead Acid (AGM)

Case material: ABS / Heat Sealed

6-Volt AGM Deep Cycle Batteries

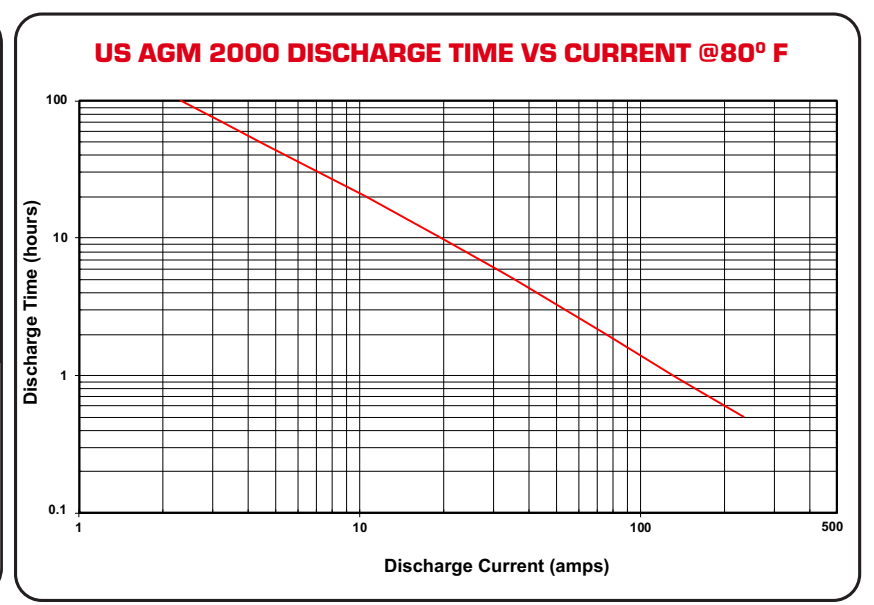
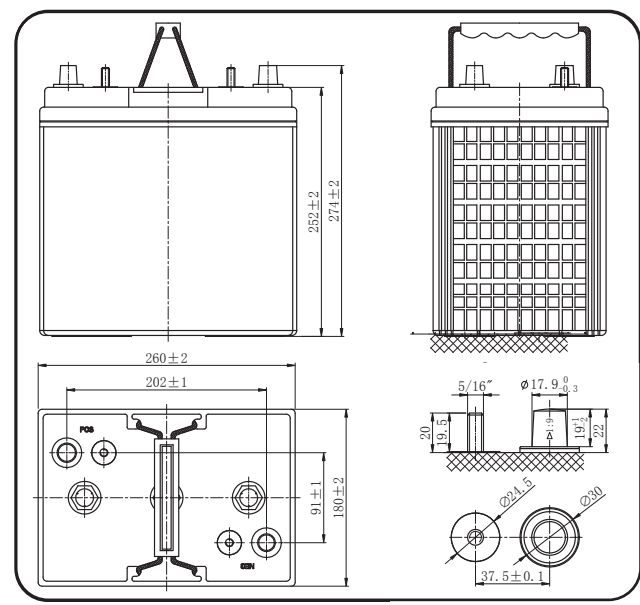
US AGM 2000 SPECIFICATIONS

US Battery Model	BCI Group Size	Nominal Voltage	Maximum Bulk/Absorp. Charge (amps)	Minimum Absorption Charge (amps)	Amp-Hour Capacity @ Discharge Times (hr)							Discharge Minutes			Length Inch (mm)	Width Inch (mm)	Height Inch (mm)	Terminal Type	Wet Weight lb (kg)
					C1	C2	C5	C6	C10	C20	C100	75 Amps	56 Amps	25 Amps					
US AGM 2000	GC2	6	21	4.2	132	150	177	183	197	210	231	120	175	460	10.24" (260)	7.09" (180)	10.79" (274)	DUAL	60(27.2)

US AGM 2000 CHARGING INSTRUCTIONS:

Nominal Charge Current (amps) 21
Max Charge Current (w/ temp. compensation) 42
Max Charge Voltage (temp. compensated) 7.4
Float/Maintenance Voltage (temp. compensated) 6.9
Temperature Compensation -4 mV/cell/°C (-2 mV/cell/°F)

For automatic chargers, use settings compatible with AGM batteries
**See back of book for additional charging information*





US AGM 2224

DATA SHEET

AGM Deep Cycle 6 -Volt



Application: Wherever Sealed, Leak Proof, Deep Cycle 6-volt batteries are needed.

Dimensions: 10.2" (260mm)L
7.09" (180mm)W
9.72 (247mm)H

Type: Sealed Non-Spillable Lead Acid (AGM)

Case material: ABS / Heat Sealed

US AGM 6V260

DATA SHEET

AGM Deep Cycle 6 -Volt



Application: Wherever Sealed, Leak Proof, Deep Cycle 6-volt batteries are needed.

Dimensions: 10.2" (260mm)L
7.09" (180mm)W
10.7" (272mm)H

Type: Sealed Non-Spillable Lead Acid (AGM)

Case material: ABS / Heat Sealed

US Battery Model	BCI Group Size	Nominal Voltage	Maximum Bulk/Absorp. Charge (amps)	Minimum Absorption Charge (amps)	Amp-Hour Capacity @ Discharge Times (hr)								Discharge Minutes			Length Inch (mm)	Width Inch (mm)	Height Inch (mm)	Terminal Type	Wet Weight lb (kg)
					C1	C2	C5	C6	C10	C20	C100	75 Amps	56 Amps	25 Amps						
US AGM 2224	GC2	6	22	4.5	150	170	195	198	208	225	246	142	204	510	10.2" (260)	7.09" (180)	9.9" (252)	F14	69.4(30.5)	

US Battery Model	BCI Group Size	Nominal Voltage	Maximum Bulk/Absorp. Charge (amps)	Minimum Absorption Charge (amps)	Amp-Hour Capacity @ Discharge Times (hr)								Discharge Minutes			Length Inch (mm)	Width Inch (mm)	Height Inch (mm)	Terminal Type	Wet Weight lb (kg)
					C1	C2	C5	C6	C10	C20	C100	75 Amps	56 Amps	25 Amps						
US AGM 6V260	GC2	6	28	5.6	164	186	220	228	236	260	300	156	223	560	10.2" (260)	7.09" (180)	10.7" (272)	F14	75(34)	

US AGM 6V260 SPECIFICATIONS

US AGM 2224 CHARGING INSTRUCTIONS:

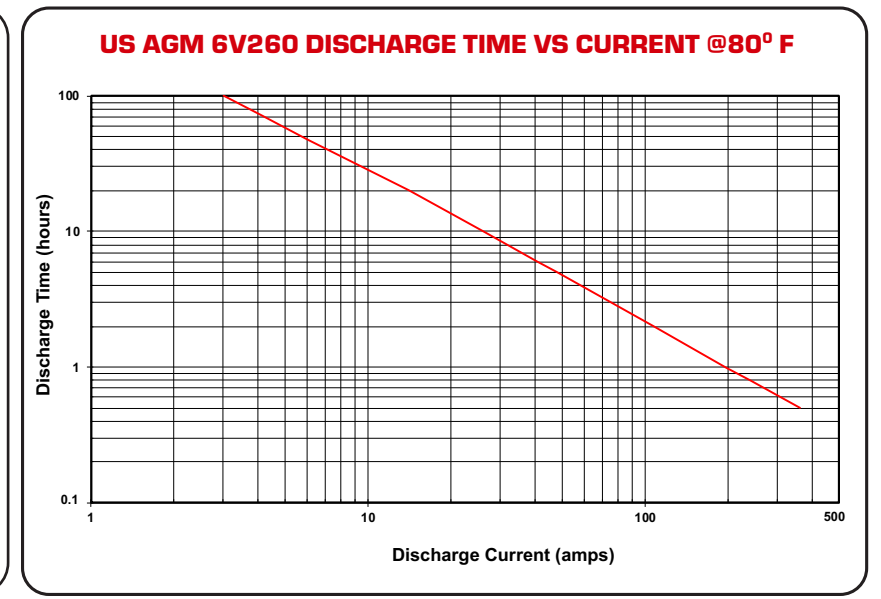
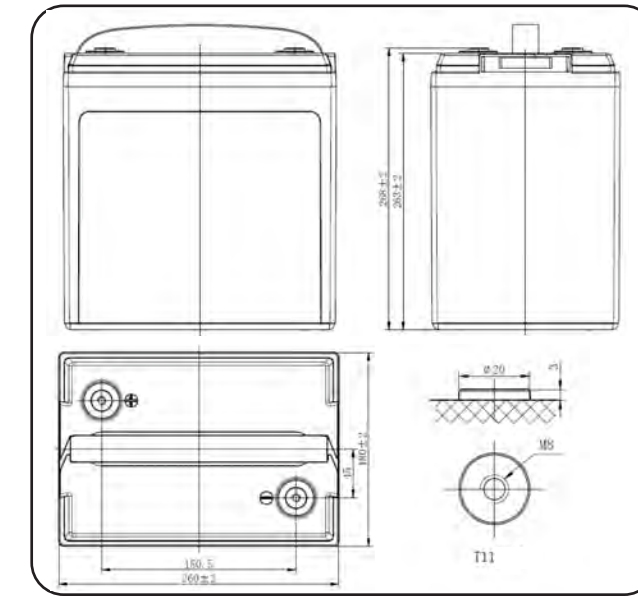
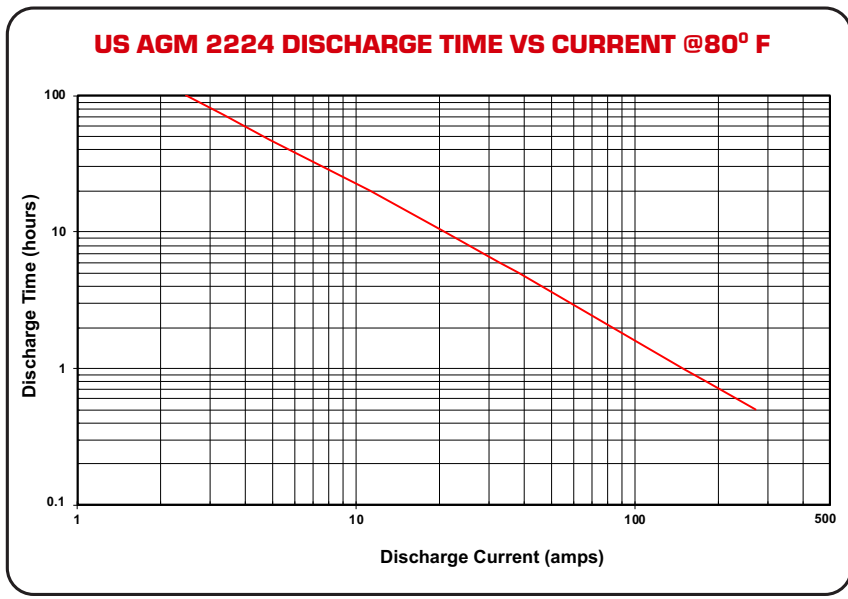
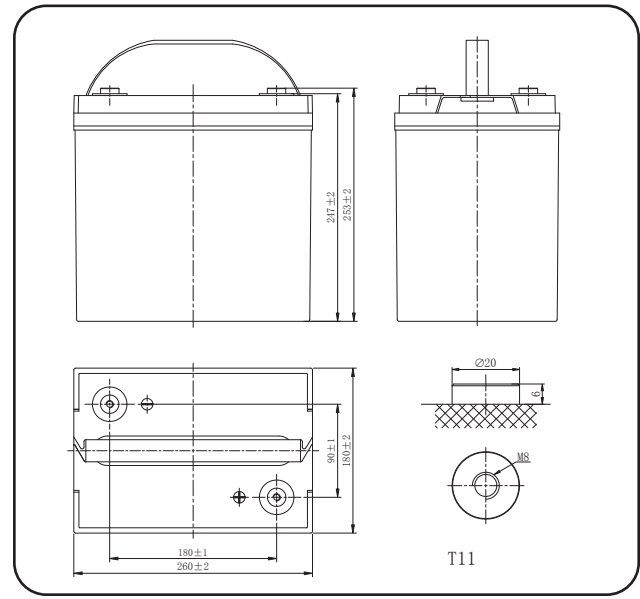
Nominal Charge Current (amps)	22
Max Charge Current (w/ temp. compensation)	45
Max Charge Voltage (temp. compensated)	7.4
Float/Maintenance Voltage (temp. compensated)	6.9
Temperature Compensation	-4 mV/cell/°C (-2 mV/cell/°F)

For automatic chargers, use settings compatible with AGM batteries
*See back of book for additional charging information

US AGM 6V260 CHARGING INSTRUCTIONS:

Nominal Charge Current (amps)	28
Max Charge Current (w/ temp. compensation)	56
Max Charge Voltage (temp. compensated)	7.4
Float/Maintenance Voltage (temp. compensated)	6.9
Temperature Compensation	-4 mV/cell/°C (-2 mV/cell/°F)

For automatic chargers, use settings compatible with AGM batteries
*See back of book for additional charging information





US AGM 6V27
DATA SHEET
 AGM Deep Cycle 6 -Volt



Application: Wherever Sealed, Leak Proof, Deep Cycle 6-volt batteries are needed.

Dimensions: 12.05" (306mm)L
 6.61" (168mm)W
 8.98" (228mm)H

Type: Sealed Non-Spillable Lead Acid (AGM)

Case material: ABS / Heat Sealed

US AGM 305
DATA SHEET
 AGM Deep Cycle 6 -Volt



Application: Wherever Sealed, Leak Proof, Deep Cycle 6-volt batteries are needed.

Dimensions: 11.61" (295mm)L
 7" (178mm)W
 14.3" (364mm)H

Type: Sealed Non-Spillable Lead Acid (AGM)

Case material: Polypropylene / Heat Sealed

US AGM 6V27 SPECIFICATIONS

US Battery Model	BCI Group Size	Nominal Voltage	Maximum Bulk/Absorp. Charge (amps)	Minimum Absorption Charge (amps)	Amp-Hour Capacity @ Discharge Times (hr)							Discharge Minutes			Length Inch (mm)	Width Inch (mm)	Height Inch (mm)	Terminal Type	Wet Weight lb (kg)
					C1	C2	C5	C6	C10	C20	C100	75 Amps	56 Amps	25 Amps					
US AGM 6V27	27	6	22	4.3	119	143	182	191	210	215	236	112	180	500	12.05" (306)	6.61" (168)	8.98" (228)	T11	64(28.8)

US AGM 6V27 CHARGING INSTRUCTIONS:

Nominal Charge Current (amps)	22
Max Charge Current (w/ temp. compensation)	43
Max Charge Voltage (temp. compensated)	7.4
Float/Maintenance Voltage (temp. compensated)	6.9
Temperature Compensation	-4 mV/cell/°C (-2 mV/cell/°F)

For automatic chargers, use settings compatible with AGM batteries
**See back of book for additional charging information*

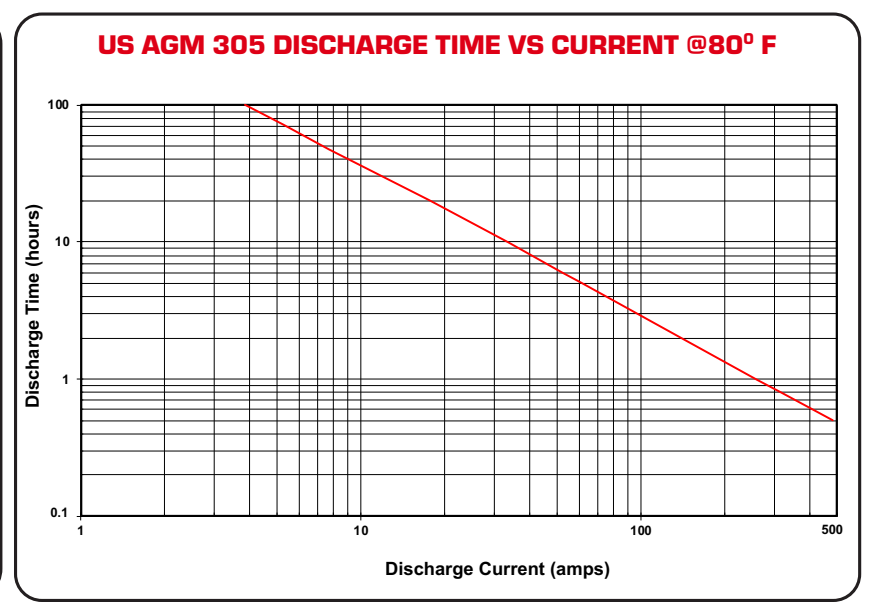
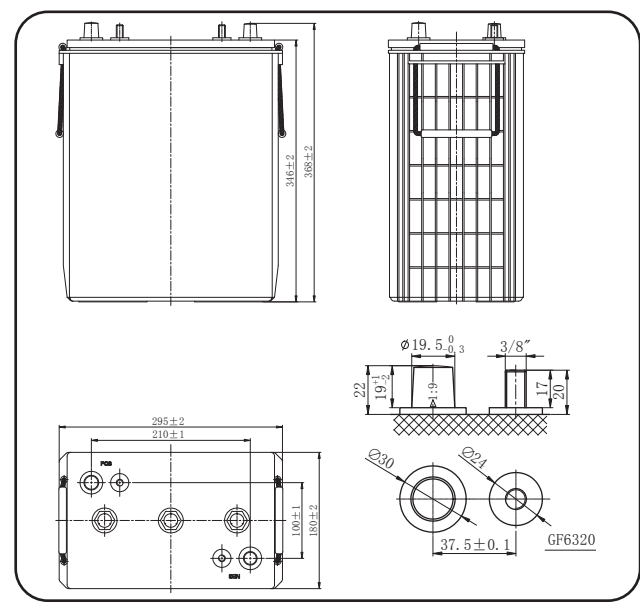
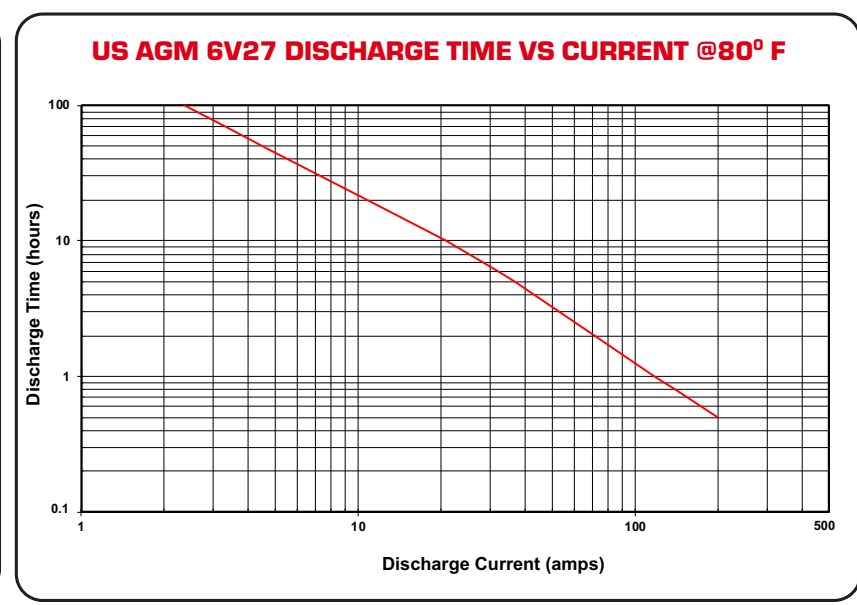
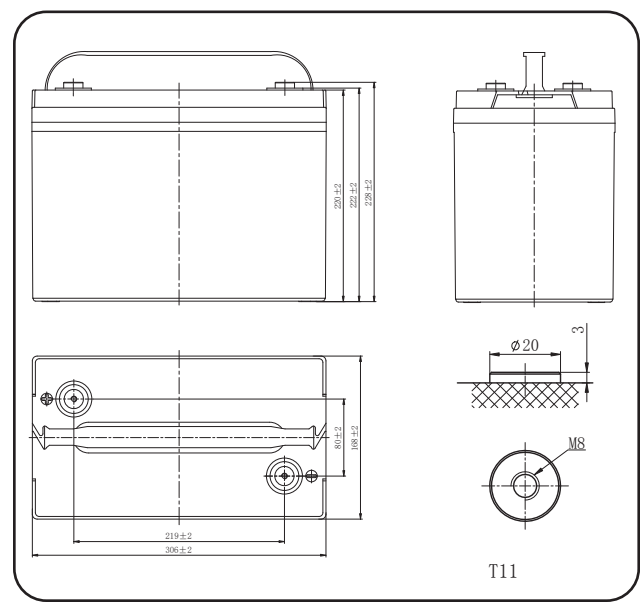
US AGM 305 SPECIFICATIONS

US Battery Model	BCI Group Size	Nominal Voltage	Maximum Bulk/Absorp. Charge (amps)	Minimum Absorption Charge (amps)	Amp-Hour Capacity @ Discharge Times (hr)							Discharge Minutes			Length Inch (mm)	Width Inch (mm)	Height Inch (mm)	Terminal Type	Wet Weight lb (kg)
					C1	C2	C5	C6	C10	C20	C100	75 Amps	56 Amps	25 Amps					
US AGM 305	902	6	35	7	259	283	306	318	326	340	366	240	330	790	11.61" (295)	7" (178)	14.3" (364)	DUAL	105.8(48)

US AGM 305 CHARGING INSTRUCTIONS:

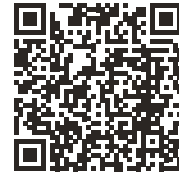
Nominal Charge Current (amps)	35
Max Charge Current (w/ temp. compensation)	70
Max Charge Voltage (temp. compensated)	7.4
Float/Maintenance Voltage (temp. compensated)	6.9
Temperature Compensation	-4 mV/cell/°C (-2 mV/cell/°F)

For automatic chargers, use settings compatible with AGM batteries
**See back of book for additional charging information*





US AGM L16
DATA SHEET
 AGM Deep Cycle 6 -Volt



Application: Wherever Sealed, Leak Proof, Deep Cycle 6-volt batteries are needed.

Dimensions: 11.61" (295mm)L
 7" (178mm)W
 16.65" (423mm)H

Type: Sealed Non-Spillable Lead Acid (AGM)

Case material: Polypropylene / Heat Sealed

US AGM L16 SPECIFICATIONS

US Battery Model	BCI Group Size	Nominal Voltage	Maximum Bulk/Absorp. Charge (amps)	Minimum Absorption Charge (amps)	Amp-Hour Capacity @ Discharge Times (hr)							Discharge Minutes			Length Inch (mm)	Width Inch (mm)	Height Inch (mm)	Terminal Type	Wet Weight lb (kg)
					C1	C2	C5	C6	C10	C20	C100	75 Amps	56 Amps	25 Amps					
US AGM L16	903	6	40	8	277	310	360	372	394	414	445	275	390	984	11.61" (295)	7" (178)	16.65" (423)	DUAL	126(57)

8-Volt AGM Deep Cycle Batteries

US AGM L16 CHARGING INSTRUCTIONS:

Nominal Charge Current (amps) **40**

Max Charge Current (w/ temp. compensation) **80**

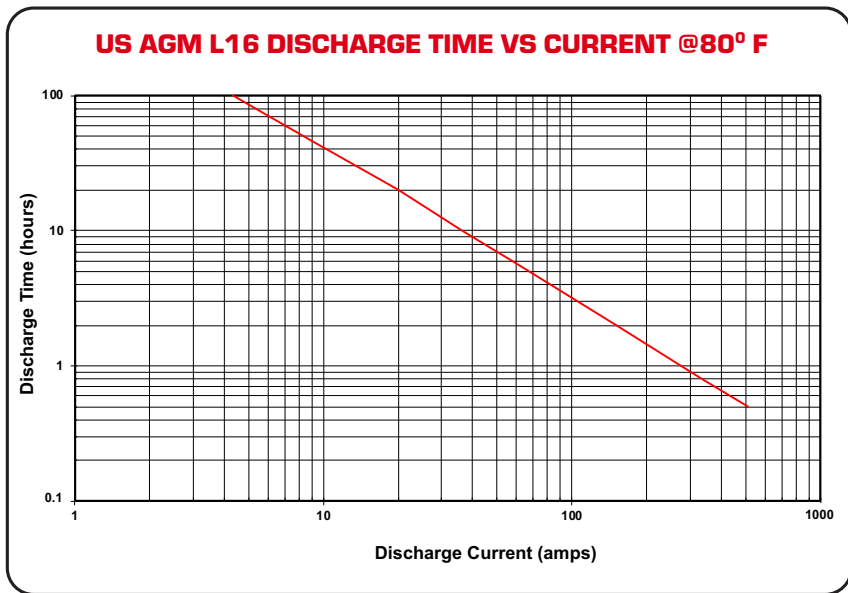
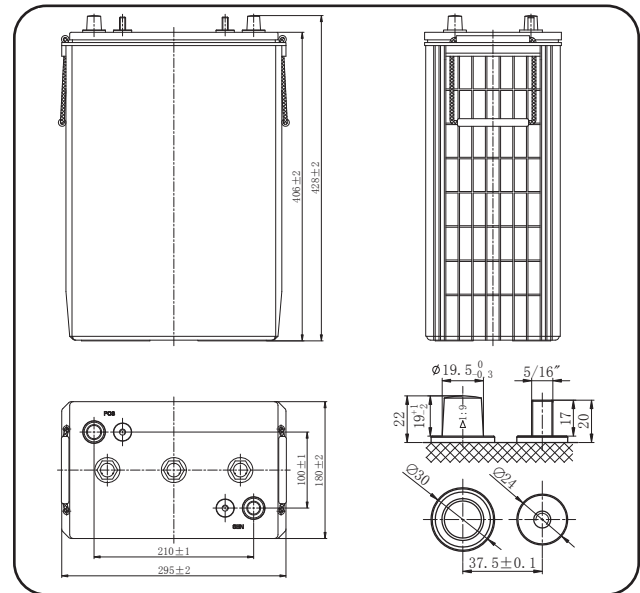
Max Charge Voltage (temp. compensated) **7.4**

Float/Maintenance Voltage (temp. compensated) **6.9**

Temperature Compensation **-4 mV/cell/°C (-2 mV/cell/°F)**

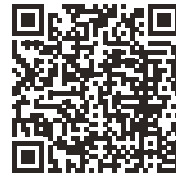
For automatic chargers, use settings compatible with AGM batteries

**See back of book for additional charging information*





US AGM 8V170
DATA SHEET
 AGM Deep Cycle 8 -Volt



Application: Wherever Sealed, Leak Proof, Deep Cycle 8-volt batteries are needed.

Dimensions: 10.2" (260mm)L
 7.17" (182mm)W
 11.3" (286mm)H

Type: Sealed Non-Spillable Lead Acid (AGM)

Case material: ABS / Heat Sealed

US AGM 8V170 SPECIFICATIONS

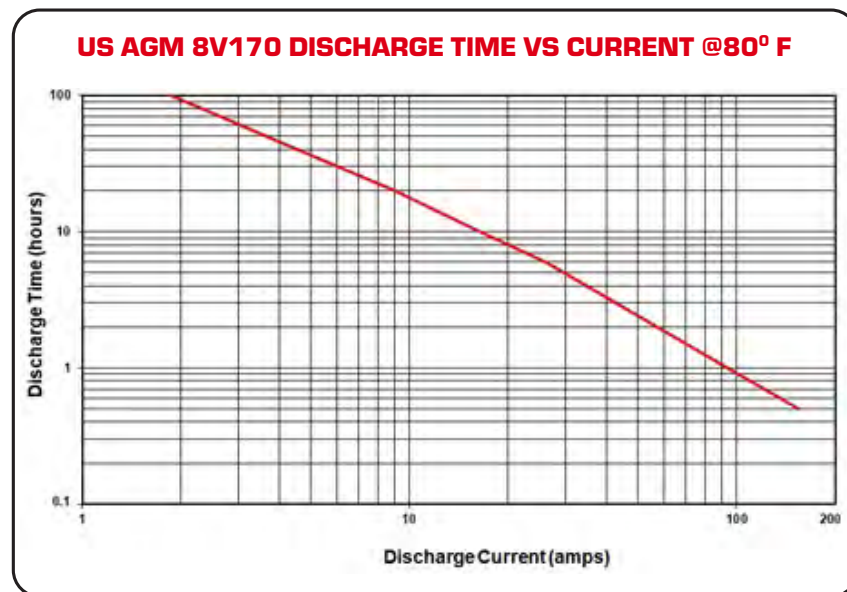
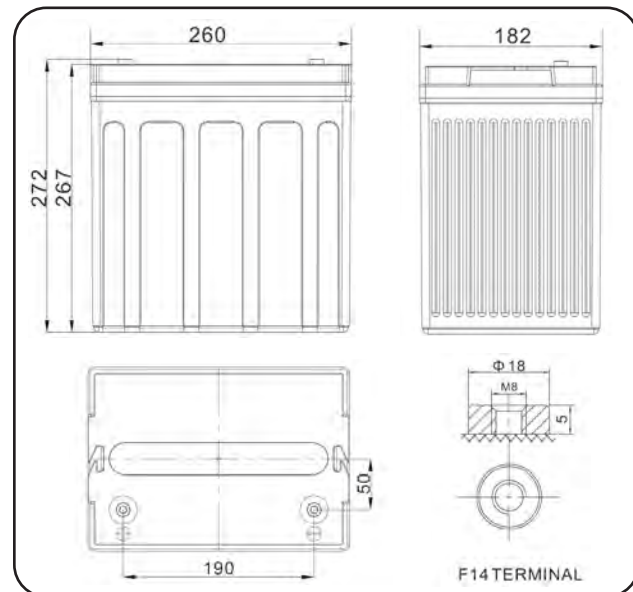
US Battery Model	BCI Group Size	Nominal Voltage	Maximum Bulk/Absorp. Charge (amps)	Minimum Absorption Charge (amps)	Amp-Hour Capacity @ Discharge Times (hr)							Discharge Minutes			Length Inch (mm)	Width Inch (mm)	Height Inch (mm)	Terminal Type	Wet Weight lb (kg)
					C1	C2	C5	C6	C10	C20	C100	75 Amps	56 Amps	25 Amps					
US AGM 8V170	GC8	8	18	3.6	94	115	149	156	163	180	185	74	120	381	10.2" (260)	7.17" (182)	11.3" (286)	DUAL	76(34.5)

US AGM 8V170 CHARGING INSTRUCTIONS:

- Nominal Charge Current (amps) **18**
- Max Charge Current (w/ temp. compensation) **36**
- Max Charge Voltage (temp. compensated) **9.9**
- Float/Maintenance Voltage (temp. compensated) **9.2**
- Temperature Compensation **-4 mV/cell/°C (-2 mV/cell/°F)**

For automatic chargers, use settings compatible with AGM batteries

**See back of book for additional charging information*

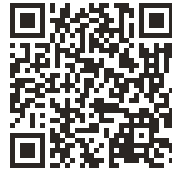


12-Volt AGM Deep Cycle Batteries



US AGM U1 DATA SHEET

AGM Deep Cycle 12 -Volt



Application: Wherever Sealed Low Maintenance & Leak Proof 12-volt batteries are needed.

Dimensions: 7.68" (195mm)L
5.12" (130mm)W
7.13" (181mm)H

Type: Sealed Non-Spillable Lead Acid (AGM)

Case material: ABS / Heat Sealed



US AGM 24 DATA SHEET

AGM Deep Cycle 12 -Volt



Application: Wherever Sealed, Leak Proof, Deep Cycle 12-volt batteries are needed.

Dimensions: 10.24" (260mm)L
6.61" (168mm)W
8.43" (214mm)H

Type: Sealed Non-Spillable Lead Acid (AGM)

Case material: ABS / Heat Sealed

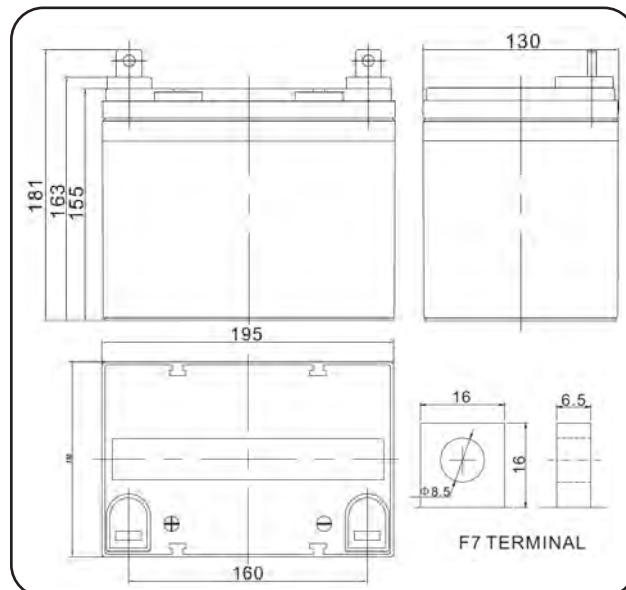
US AGM U1 SPECIFICATIONS

US Battery Model	BCI Group Size	Nominal Voltage	Maximum Bulk/Absorp. Charge (amps)	Minimum Absorption Charge (amps)	Amp-Hour Capacity @ Discharge Times (hr)							Discharge Minutes			Length Inch (mm)	Width Inch (mm)	Height Inch (mm)	Terminal Type	Wet Weight lb (kg)
					C1	C2	C5	C6	C10	C20	C100	75 Amps	56 Amps	25 Amps					
US AGM U1	U1	12	4	0.7	20	23	29	30	33	35	39	11	16	45	7.68" (195)	5.12" (130)	7.13" (181)	F7	22(9.8)

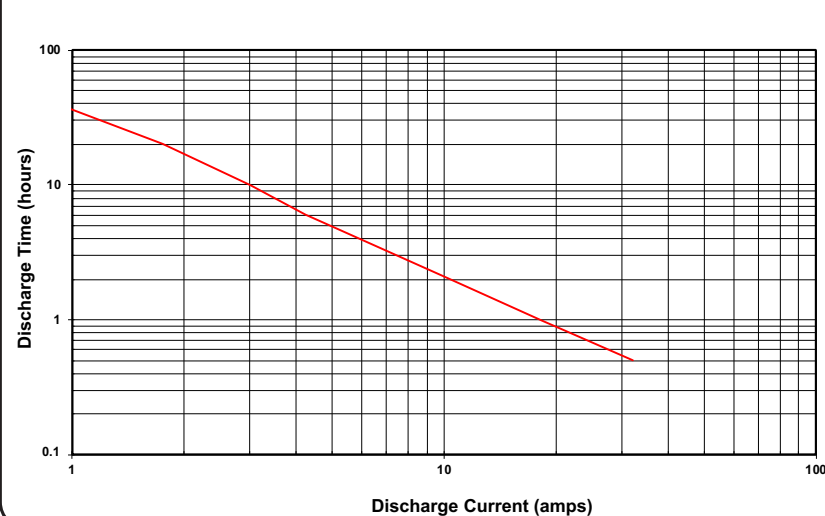
US AGM U1 CHARGING INSTRUCTIONS:

Nominal Charge Current (amps)	4
Max Charge Current (w/ temp. compensation)	7
Max Charge Voltage (temp. compensated)	14.9
Float/Maintenance Voltage (temp. compensated)	13.8
Temperature Compensation	-4 mV/cell/°C (-2 mV/cell/°F)

For automatic chargers, use settings compatible with AGM batteries
*See back of book for additional charging information



US AGM U1 DISCHARGE TIME VS CURRENT @80° F



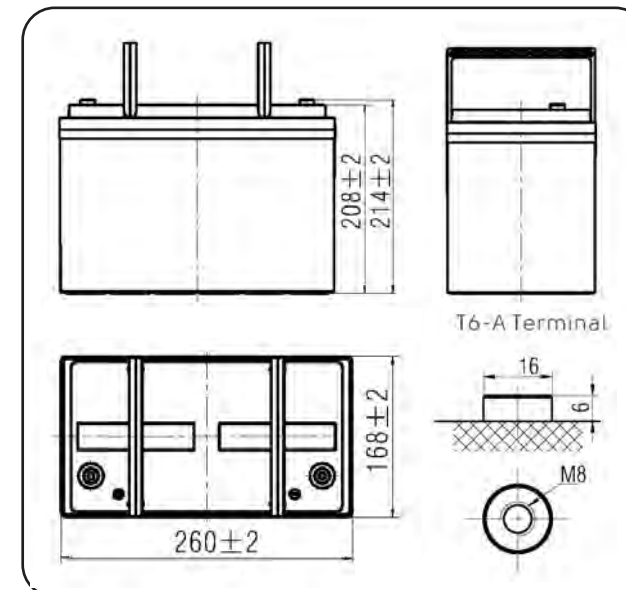
US AGM 24 SPECIFICATIONS

US Battery Model	BCI Group Size	Nominal Voltage	Maximum Bulk/Absorp. Charge (amps)	Minimum Absorption Charge (amps)	Amp-Hour Capacity @ Discharge Times (hr)							Discharge Minutes			Length Inch (mm)	Width Inch (mm)	Height Inch (mm)	Terminal Type	Wet Weight lb (kg)
					C1	C2	C5	C6	C10	C20	C100	75 Amps	56 Amps	25 Amps					
US AGM 24	24	12	9	1.8	58	67	82	85	90	92	93	43	65	175	10.24" (260)	6.61" (168)	8.43" (214)	T6-A	52(23.5)

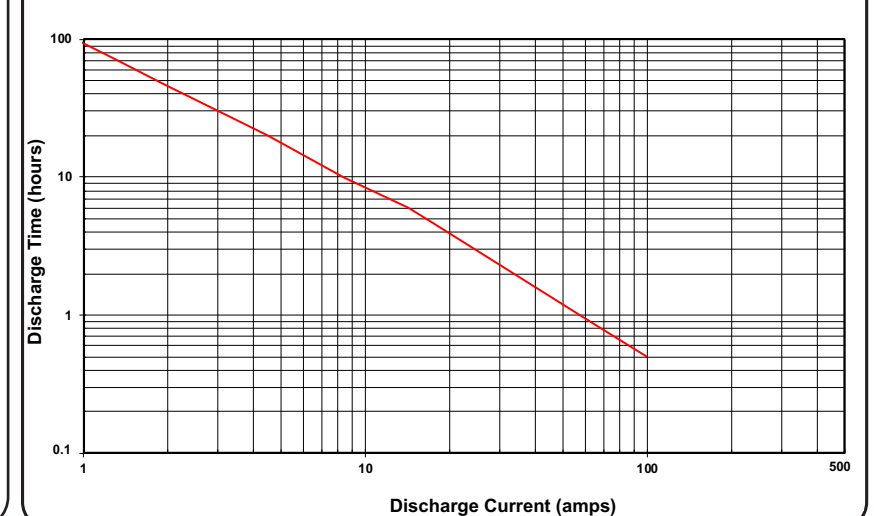
US AGM 24 CHARGING INSTRUCTIONS:

Nominal Charge Current (amps)	9
Max Charge Current (w/ temp. compensation)	18
Max Charge Voltage (temp. compensated)	14.9
Float/Maintenance Voltage (temp. compensated)	13.8
Temperature Compensation	-4 mV/cell/°C (-2 mV/cell/°F)

For automatic chargers, use settings compatible with AGM batteries
*See back of book for additional charging information



US AGM 24 DISCHARGE TIME VS CURRENT @80° F





US AGM 27 DATA SHEET

AGM Deep Cycle 12 -Volt



Application: Wherever Sealed, Leak Proof, Deep Cycle 12-volt batteries are needed.

Dimensions: 12.05" (306mm)L
6.61" (168mm)W
9.17" (233mm)H

Type: Sealed Non-Spillable Lead Acid (AGM)

Case material: ABS / Heat Sealed



US AGM 31 DATA SHEET

AGM Deep Cycle 12 -Volt



Application: Wherever Sealed, Leak Proof, Deep Cycle 12-volt batteries are needed.

Dimensions: 12.9" (328mm)L
6.77" (172mm)W
8.66" (220mm)H

Type: Sealed Non-Spillable Lead Acid (AGM)

Case material: ABS / Heat Sealed

US AGM 27 SPECIFICATIONS

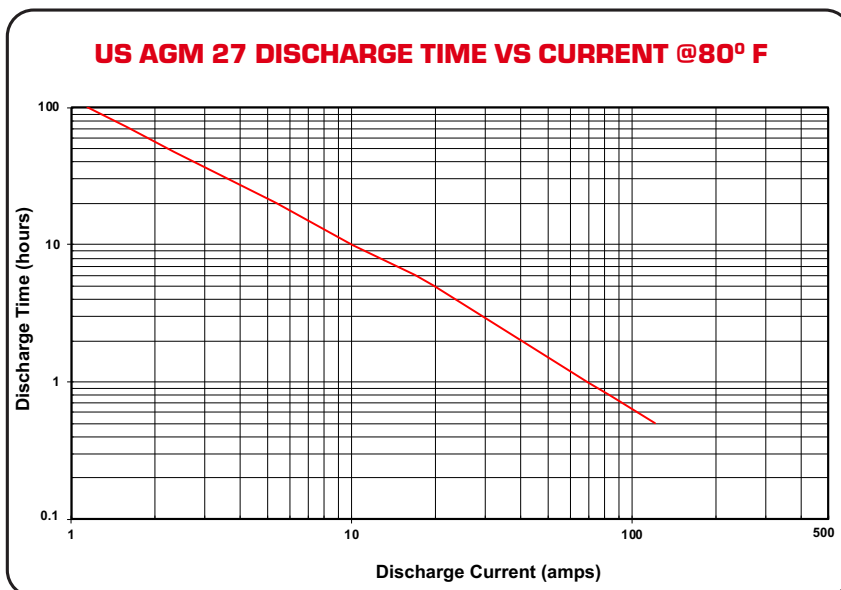
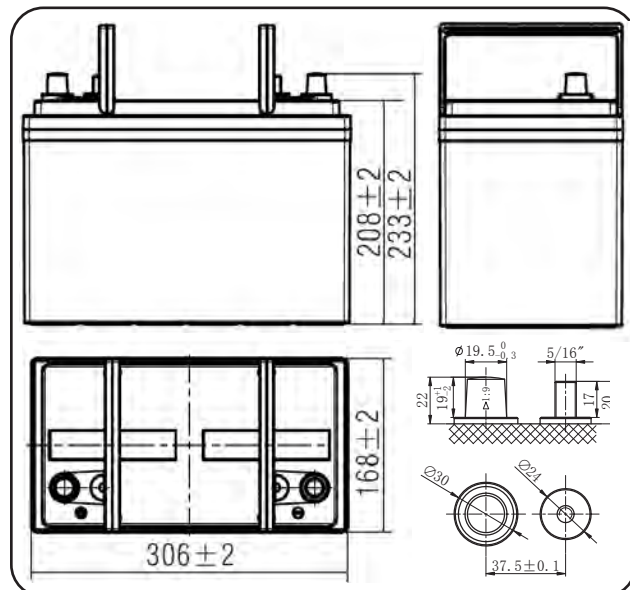
US Battery Model	BCI Group Size	Nominal Voltage	Maximum Bulk/Absorp. Charge (amps)	Minimum Absorption Charge (amps)	Amp-Hour Capacity @ Discharge Times (hr)									Discharge Minutes			Length Inch (mm)	Width Inch (mm)	Height Inch (mm)	Terminal Type	Wet Weight lb (kg)
					C1	C2	C5	C6	C10	C20	C100	75 Amps	56 Amps	25 Amps							
US AGM 27	27	12	11	2.2	70	81	98	102	101	112	115	55	80	220	12.05" (306)	6.61" (168)	9.17" (233)	DUAL	61(27.8)		

US AGM 27 CHARGING INSTRUCTIONS:

Nominal Charge Current (amps)	11
Max Charge Current (w/ temp. compensation)	22
Max Charge Voltage (temp. compensated)	14.9
Float/Maintenance Voltage (temp. compensated)	13.8
Temperature Compensation	-4 mV/cell/°C (-2 mV/cell/°F)

For automatic chargers, use settings compatible with AGM batteries

*See back of book for additional charging information



US AGM 31 SPECIFICATIONS

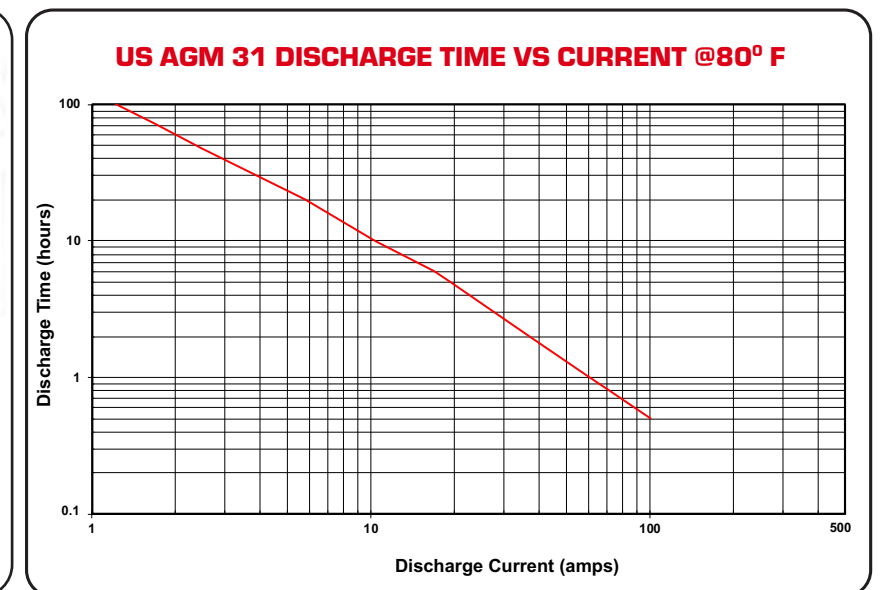
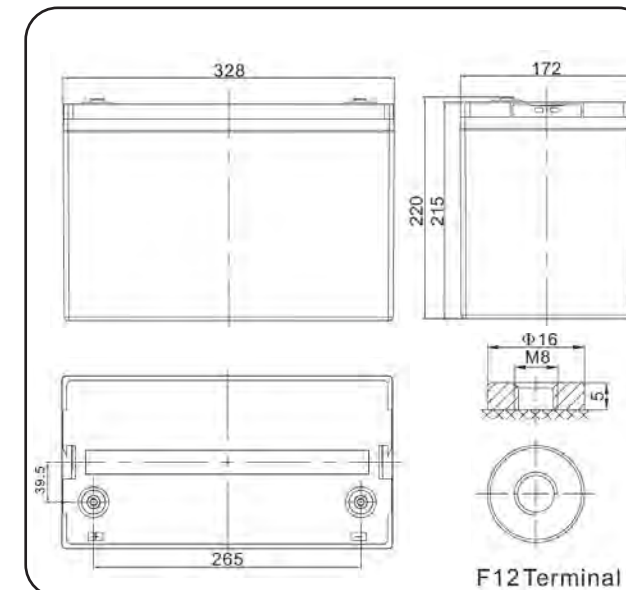
US Battery Model	BCI Group Size	Nominal Voltage	Maximum Bulk/Absorp. Charge (amps)	Minimum Absorption Charge (amps)	Amp-Hour Capacity @ Discharge Times (hr)									Discharge Minutes			Length Inch (mm)	Width Inch (mm)	Height Inch (mm)	Terminal Type	Wet Weight lb (kg)
					C1	C2	C5	C6	C10	C20	C100	75 Amps	56 Amps	25 Amps							
US AGM 31	31	12	12	2.3	61	74	96	101	104	117	122	45	68	207	12.9" (328)	6.77" (172)	8.66" (220)	F12	67(30.5)		

US AGM 31 CHARGING INSTRUCTIONS:

Nominal Charge Current (amps)	12
Max Charge Current (w/ temp. compensation)	23
Max Charge Voltage (temp. compensated)	14.9
Float/Maintenance Voltage (temp. compensated)	13.8
Temperature Compensation	-4 mV/cell/°C (-2 mV/cell/°F)

For automatic chargers, use settings compatible with AGM batteries

*See back of book for additional charging information



US AGM 12V140

DATA SHEET
AGM Deep Cycle 12 -Volt



Application: Wherever Sealed, Leak Proof, Deep Cycle 12-volt batteries are needed.

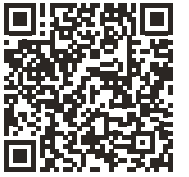
Dimensions: 16.1" (408mm)L
6.97" (177mm)W
8.86" (225mm)H

Type: Sealed Non-Spillable Lead Acid (AGM)

Case material: ABS / Heat Sealed

US AGM 12V150

DATA SHEET
AGM Deep Cycle 12 -Volt



Application: Wherever Sealed, Leak Proof, Deep Cycle 12-volt batteries are needed.

Dimensions: 12.87" (327mm)L
7.09" (180mm)W
10.79" (274mm)H

Type: Sealed Non-Spillable Lead Acid (AGM)

Case material: ABS / Heat Sealed



Image
Coming Soon

US AGM 12V140 SPECIFICATIONS

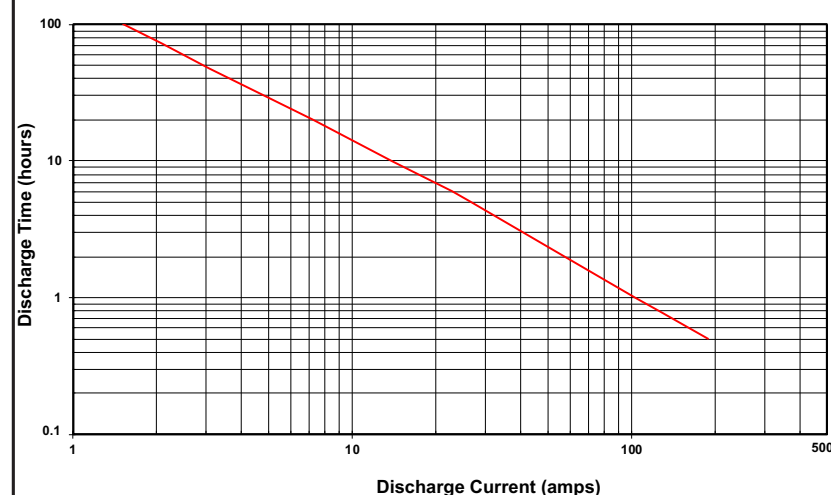
US Battery Model	BCI Group Size	Nominal Voltage	Maximum Bulk/Absorp. Charge (amps)	Minimum Absorption Charge (amps)	Amp-Hour Capacity @ Discharge Times (hr)							Discharge Minutes			Length Inch (mm)	Width Inch (mm)	Height Inch (mm)	Terminal Type	Wet Weight lb (kg)
					C1	C2	C5	C6	C10	C20	C100	75 Amps	56 Amps	25 Amps					
US AGM 12V140	N/A	12	14	2.9	104	115	132	136	139	144	152	88	126	321	16.1" (408)	6.97" (177)	8.86" (225)	T11	86(39.2)

US AGM 12V140 CHARGING INSTRUCTIONS:

Nominal Charge Current (amps)	14
Max Charge Current (w/ temp. compensation)	29
Max Charge Voltage (temp. compensated)	14.9
Float/Maintenance Voltage (temp. compensated)	13.8
Temperature Compensation	-4 mV/cell/°C (-2 mV/cell/°F)

For automatic chargers, use settings compatible with AGM batteries
**See back of book for additional charging information*

US AGM 12V140 DISCHARGE TIME VS CURRENT @80° F



US AGM 12V150 SPECIFICATIONS

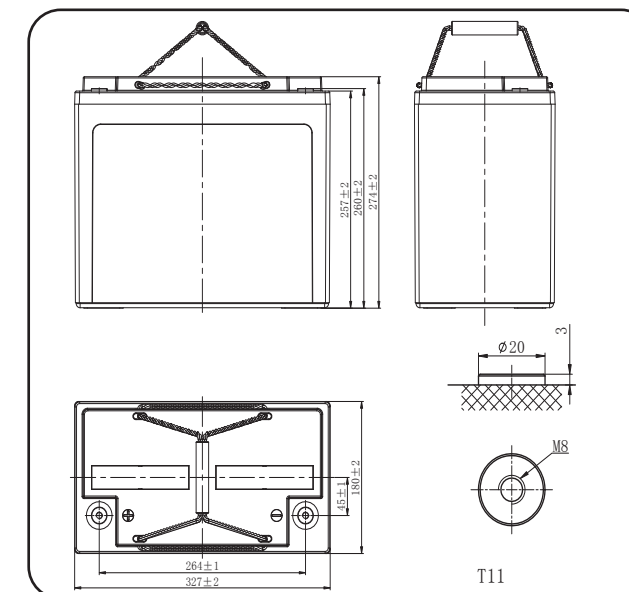
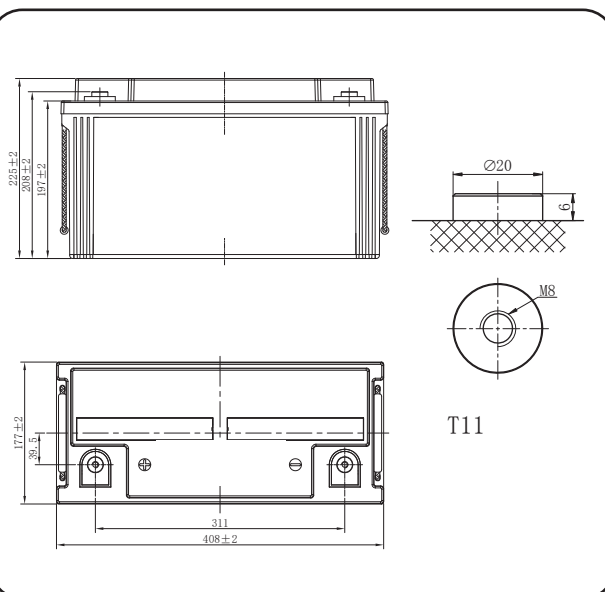
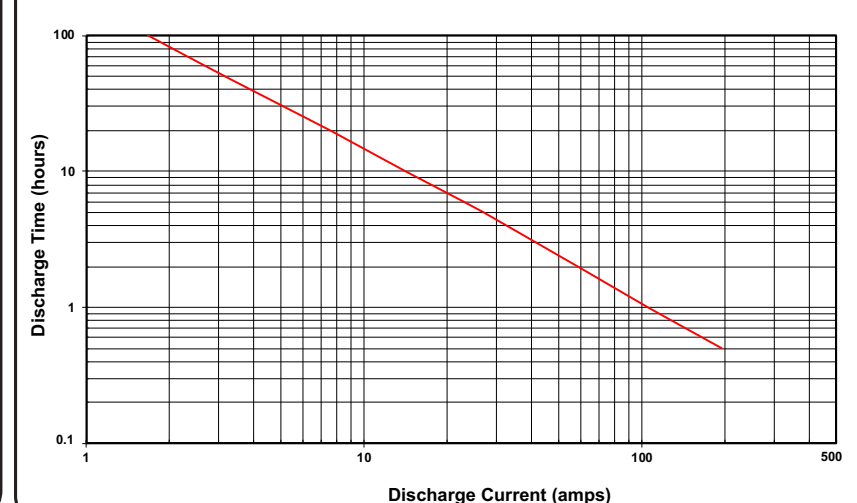
US Battery Model	BCI Group Size	Nominal Voltage	Maximum Bulk/Absorp. Charge (amps)	Minimum Absorption Charge (amps)	Amp-Hour Capacity @ Discharge Times (hr)							Discharge Minutes			Length Inch (mm)	Width Inch (mm)	Height Inch (mm)	Terminal Type	Wet Weight lb (kg)
					C1	C2	C5	C6	C10	C20	C100	75 Amps	56 Amps	25 Amps					
US AGM 12V150	GC12	12	15	3	106	117	133	137	142	150	166	90	120	323	12.87" (327)	7.09" (180)	10.79" (274)	T11	93(42.2)

US AGM 12V150 CHARGING INSTRUCTIONS:

Nominal Charge Current (amps)	15
Max Charge Current (w/ temp. compensation)	30
Max Charge Voltage (temp. compensated)	14.9
Float/Maintenance Voltage (temp. compensated)	13.8
Temperature Compensation	-4 mV/cell/°C (-2 mV/cell/°F)

For automatic chargers, use settings compatible with AGM batteries
**See back of book for additional charging information*

US AGM 12V150 DISCHARGE TIME VS CURRENT @80° F





US AGM 12V240

DATA SHEET
AGM Deep Cycle 12 -Volt



Application: Wherever Sealed, Leak Proof, Deep Cycle 12-volt batteries are needed.

Dimensions: 15.03" (382mm)L
7.04" (179mm)W
14.5" (370mm)H

Type: Sealed Non-Spillable Lead Acid (AGM)

Case material: Polypropylene / Heat Sealed



US AGM 8D

DATA SHEET
AGM Deep Cycle 12 -Volt



Application: Wherever Sealed, Leak Proof, Deep Cycle 12-volt batteries are needed.

Dimensions: 20.5" (521mm)L
10.6" (268mm)W
8.86" (225mm)H

Type: Sealed Non-Spillable Lead Acid (AGM)

Case material: ABS / Heat Sealed

12-Volt

US AGM 12V240 SPECIFICATIONS

US Battery Model	BCI Group Size	Nominal Voltage	Maximum Bulk/Absorp. Charge (amps)	Minimum Absorption Charge (amps)	Amp-Hour Capacity @ Discharge Times (hr)							Discharge Minutes			Length Inch (mm)	Width Inch (mm)	Height Inch (mm)	Terminal Type	Wet Weight lb (kg)
					C1	C2	C5	C6	C10	C20	C100	75 Amps	56 Amps	25 Amps					
US AGM 12V240	921	12	25	4.9	149	170	203	205	220	230	262	145	205	522	15.03" (382)	7.04" (178)	14.5" (370)	DUAL	140(63.5)

US AGM 8D SPECIFICATIONS

US Battery Model	BCI Group Size	Nominal Voltage	Maximum Bulk/Absorp. Charge (amps)	Minimum Absorption Charge (amps)	Amp-Hour Capacity @ Discharge Times (hr)							Discharge Minutes			Length Inch (mm)	Width Inch (mm)	Height Inch (mm)	Terminal Type	Wet Weight lb (kg)
					C1	C2	C5	C6	C10	C20	C100	75 Amps	56 Amps	25 Amps					
US AGM 8D	8D	12	31	6.2	176	205	252	262	294	308	317	180	262	738	20.5" (521)	10.6" (268)	8.86" (225)	F14	169(77)

12-Volt

US AGM 12V240 CHARGING INSTRUCTIONS:

Nominal Charge Current (amps) **25**
 Max Charge Current (w/ temp. compensation) **49**
 Max Charge Voltage (temp. compensated) **14.9**
 Float/Maintenance Voltage (temp. compensated) **13.8**
 Temperature Compensation **-4 mV/cell/°C (-2 mV/cell/°F)**

For automatic chargers, use settings compatible with AGM batteries
**See back of book for additional charging information*

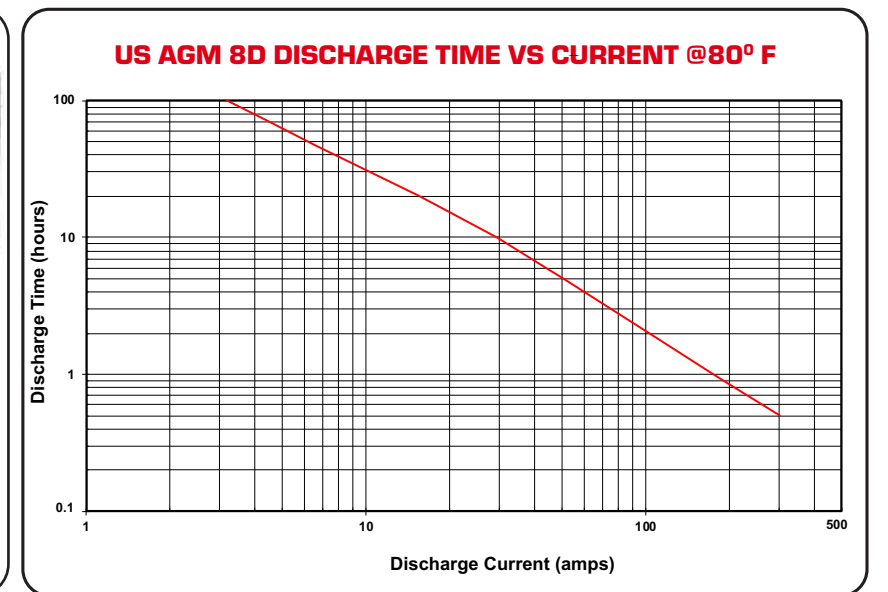
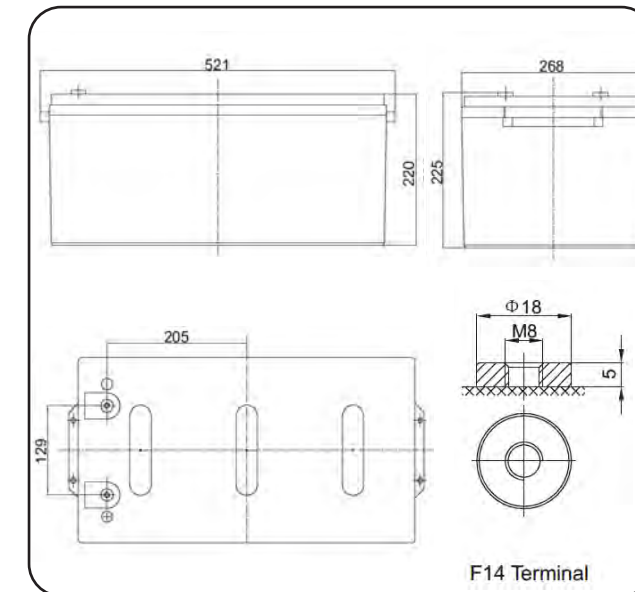
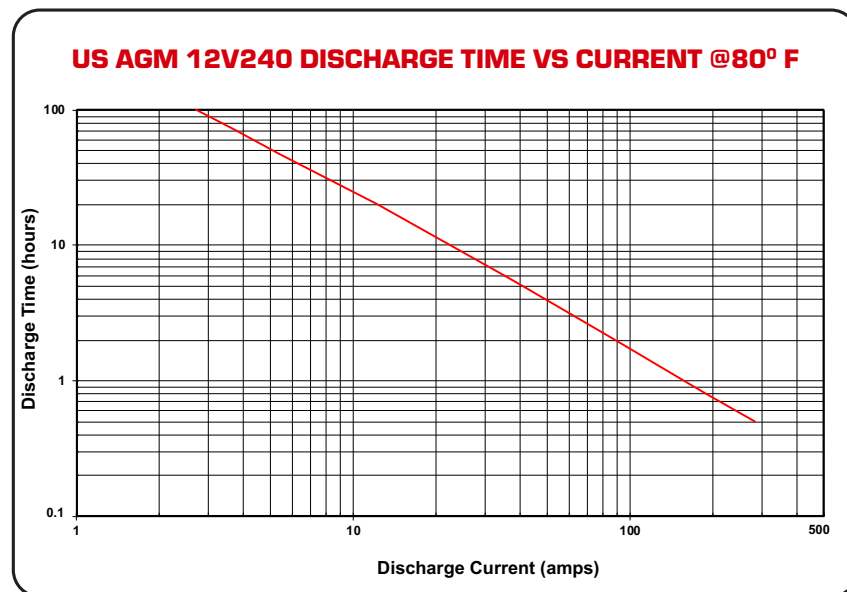
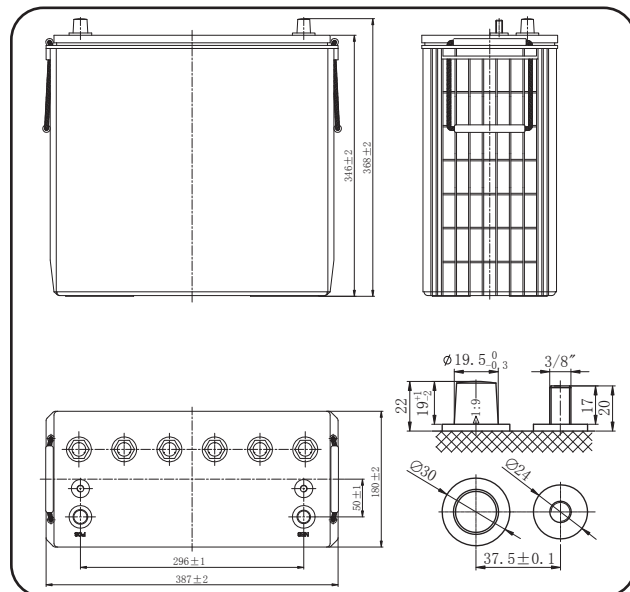
US AGM 8D CHARGING INSTRUCTIONS:

Nominal Charge Current (amps) **31**
 Max Charge Current (w/ temp. compensation) **62**
 Max Charge Voltage (temp. compensated) **14.9**
 Float/Maintenance Voltage (temp. compensated) **13.8**
 Temperature Compensation **-4 mV/cell/°C (-2 mV/cell/°F)**

For automatic chargers, use settings compatible with AGM batteries
**See back of book for additional charging information*

Terminal Option

SAE
(Screw-in) Post



ADDITIONAL CHARGING recommendations:

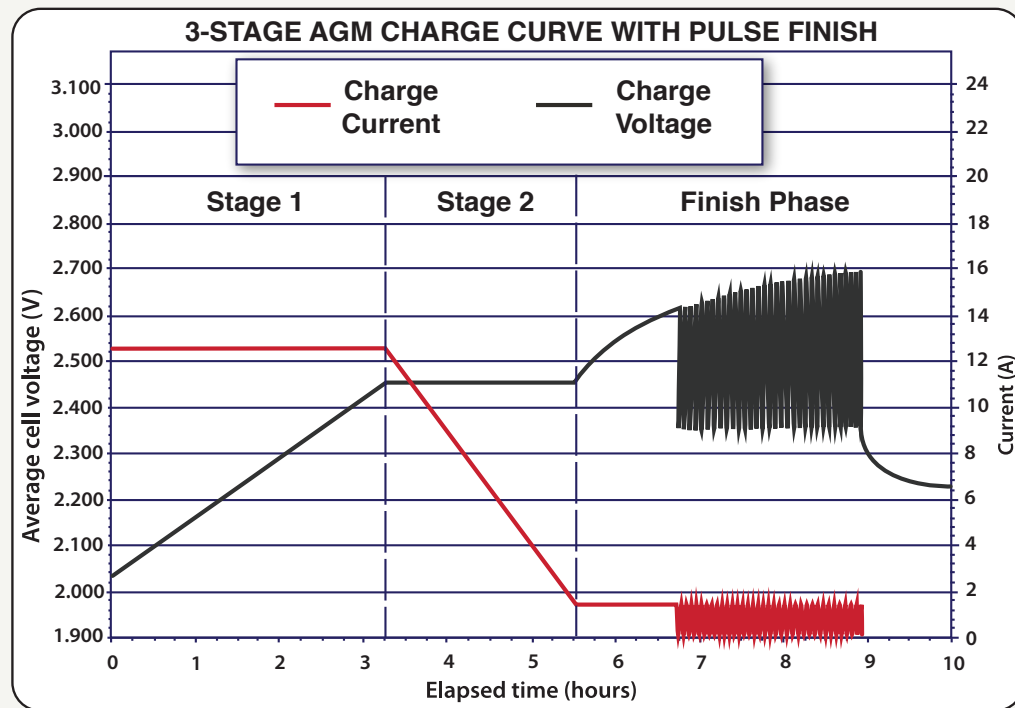
Three-Stage Charger (Constant Current-Constant Voltage-Constant/Pulse Current)*

Following is the charging recommendations and charging profile using 3 stage* chargers for US AGM deep cycle products.

*Equalization and float charge modes are not considered to be one of the stages in a charge profile.

1. Bulk Charge Constant current @ maximum bulk charge to 2.40+/-0.05 volts per cell (e.g. 7.20 volts +/-0.15 volts per 6 volt battery)
 2. Absorption Charge Constant voltage (2.40+/-0.05 vpc) to minimum absorption charge then hold for 2-3 hours and terminate charge.
 3. Finish Charge Constant current at 3% of C/20 Ah to 2.45+/-0.05 volts per cell then terminate charge (e.g. 7.35 volts +/-0.15 volts per 6 volt battery)
Pulse finish: Periodic short current pulses at ~2% of C/20. Voltage rises to 2.7vpc, current turns off, voltage drops to 2.35vpc, current turns on and repeats. Termination is determined by % overcharge or max time.
- (Optional Float Charge) Constant voltage 2.23+/-0.03 vpc (6.70 volts per 6 volt battery) for unlimited time
 - Equalization Charge Constant voltage (2.45+/-0.05 vpc) extended for 1-3 hours after normal charge cycle (repeat every 30 days)

Notes: Charge time from full discharge is 9-12 hours.
 Absorption charge time is determined by the battery but will usually be ~3 hours at 2.45 volts per cell.
 Finish charge time is typically 2-4 hours.
 Float time is unlimited at 2.23 volts per cell.



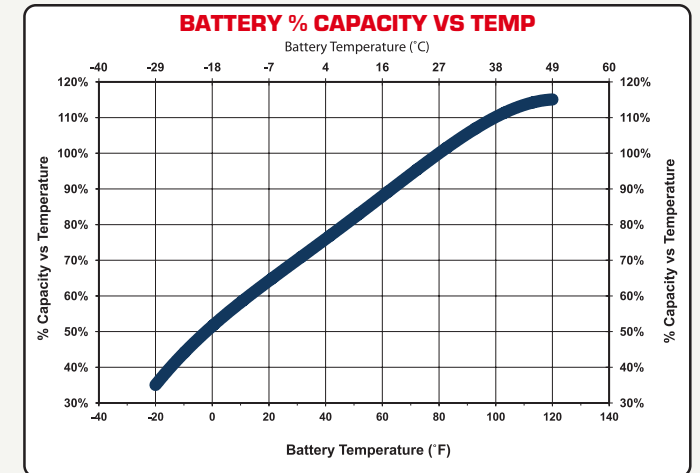
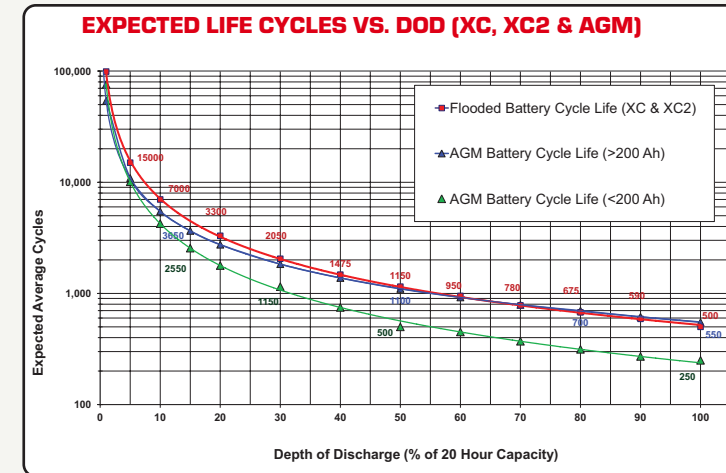
Do not charge at temperature corrected voltages above 15 volts (2.5 volts/cell).

Use of a voltage controlled charger is a requirement for warranty coverage.

For best cycle life, limit discharge to less than 50% of the battery's 20 hour capacity.

Deep cycle batteries need to be equalized periodically. Equalizing is an extended, low current charge performed after the normal charge cycle. This extra charge helps keep all cells in balance. Actively used batteries should be equalized once per month. Manually timed chargers should have the charge time extended approximately 3 hours. Automatically controlled chargers should be unplugged and reconnected after completing a charge.

ADDITIONAL information:



U.S. Battery Operating Temperature Guidelines

For charging, we recommend staying within 0°F to 120°F (-18 to 49°C) to avoid charging frozen batteries at low temperature or going into thermal runaway at high temperature.

For discharging, we recommend -20°F to 120°F (-29 to 49°C). Batteries discharged at temperatures below 32°F (0°C) should be recharged immediately to avoid freezing.

Batteries discharged at temperatures above 120°F (49°C) should be allowed to cool before recharging.

Extreme temperatures can substantially affect battery performance and charging. Cold reduces battery capacity and retards charging. Heat increases water usage and can result in overcharging. Very high temperatures can cause "thermal run-away" which may lead to an explosion or fire. If extreme temperature is an unavoidable part of an application, consult a battery/charger specialist about ways to deal with the problem.

COMMON RATINGS explained:

75 Amp Rating

Expressed in minutes; the amount of time it takes a battery to go from fully charged to 1.75 volts per cell using a constant 75 amp discharge at 80°F.

20 Hour Rate

Expressed in Ampere Hours; the total amount of Ampere Hours a fully charged battery can provide in a 20 hour period, reaching a discharge level of 1.75 volts per cell at 80°F. Divide the rating by 20 (hrs) to determine discharge current rate.

6 Hour Rate

Expressed in Ampere Hours; the total amount of Ampere Hours a fully charged battery can provide in a 6 hour period, reaching a discharge level of 1.75 volts per cell at 80°F. Divide the rating by 6 (hrs) to determine discharge current rate.

Convert 20 Hour To 6 Hour Capacity

Multiply 20 Hr. Ampere Hour Capacity by .84 (Divide result by 6 to determine discharge current rate).

Reserve Capacity

Expressed in minutes, the time it takes for a fully charged battery to reach 1.75 volts per cell using a constant 25 amp. discharge at 80°F.

C.C.A. (Cold Cranking Amps)

Expressed in amps., a rating usually applied to S.L.I. (starting, lighting, ignition) batteries; the highest discharge amps. that can be sustained by a fully charged battery over 30 seconds without dropping voltage below 1.2 volts per cell at 0°F.

CA/ M.C.A. (Cranking Amps)

Same as above except that the rating is at 32°F rather than 0°F. The higher temperature will result in an approximate increase in the cranking rate of 22%.

Data references within this publication are nominal and should not be considered or construed as maximum or minimum values for specifications or for final design. Data for these product types and models may vary from what is shown in this publication, and U.S. Battery Mfg., Co. makes No warranties, expressed or implied based on the data within this publication.

©2020 U.S. Battery Mfg., Co. All rights reserved. U.S. Battery is not liable for damages that may occur from any information provided in or omitted from this publication, under any circumstances. U.S. Battery Mfg., Co. reserves the right to make changes or adjustments to this publication at any time without notices or obligations.



1675 Sampson Ave.
Corona, CA 92879
(800) 695-0945

1895 Tobacco Road
Augusta, GA 30906
(800) 522-0945

717 North Belair Rd.
Evans, GA 30809
(888) 811-0945

WWW.USBATTERY.COM