

US 48VGC2 - Data Sheet

ESSENTIALi[®]

POWERED BY U.S. BATTERY MFG. CO.



 **ENGINEERED IN THE U.S.A.**

Lithium-Ion Battery
51.2 V | 30AH (1.5kWh)
 CELL CHEMISTRY:
Lithium Iron Phosphate (LFP)
 CASE:
ABS + PC with Aluminium Heat Sink
 Dimensions:
10.24" w x 7.09" l x 11.04" h
 BCI GROUP SIZE:
GC2

FEATURES

- **IP67 rated construction** prevents damage from outside particles and moisture
- **CAN Networking** automotive grade connections allow manufacturers to integrate the battery with devices such as motor controllers and chargers to allow for communication of battery status.
- **Scalable** multiple batteries can be used in parallel for increased capacity
- **State-of-the-Art Battery Management System (BMS)** Utilizes intelligent algorithms to help ensure accurate State of Charge (SOC), delivers advanced cell balancing, and enhanced fault detection and handling for optimal performance.

BATTERY SPECIFICATIONS

BCI Group Size	Model	Terminal	Terminal Torque	Dimensions (mm)(±2mm)			Weight (kg)
				Width	Length	Height	
GC2	US 48VGC2	M8 insert	90 IN-LBS	10.24" (260)	7.09" (180)	11.04" (280)	32.2 (14.6)

Internal Protection information: See User's Guide www.usbattery.com/info-center/essentialowner

ELECTRICAL SPECIFICATIONS

Voltage	Capacity	Max Continous Discharge Current	Max 20S Discharge Current	Max 10S Discharge Current
51.2 V	30 Ah	100A	150A	175A
Max Charge Current	Self Discharge Rate	Low Voltage Cutoff	High Voltage Cutoff	
30A	3.5%/month (In Off Mode)	40V (Cell 2.5V)	58.4V (Cell 3.65V)	

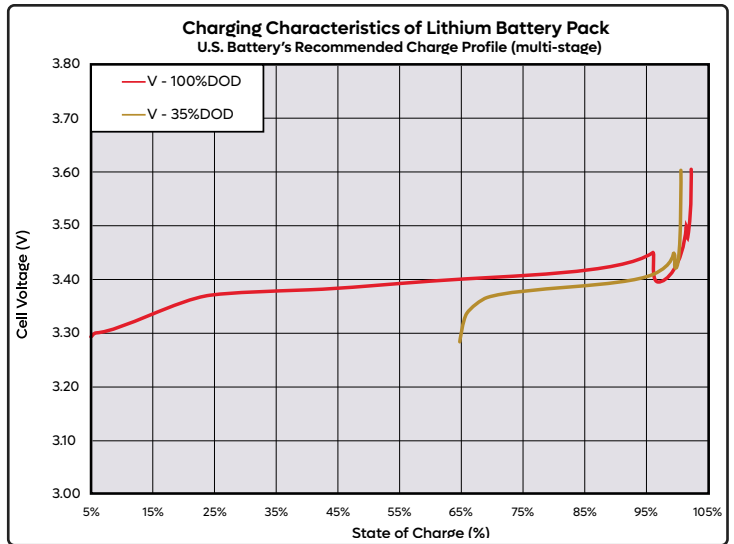
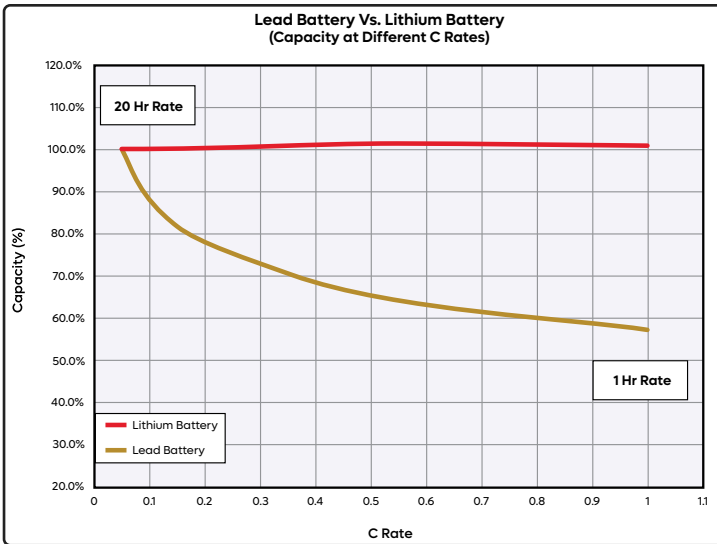
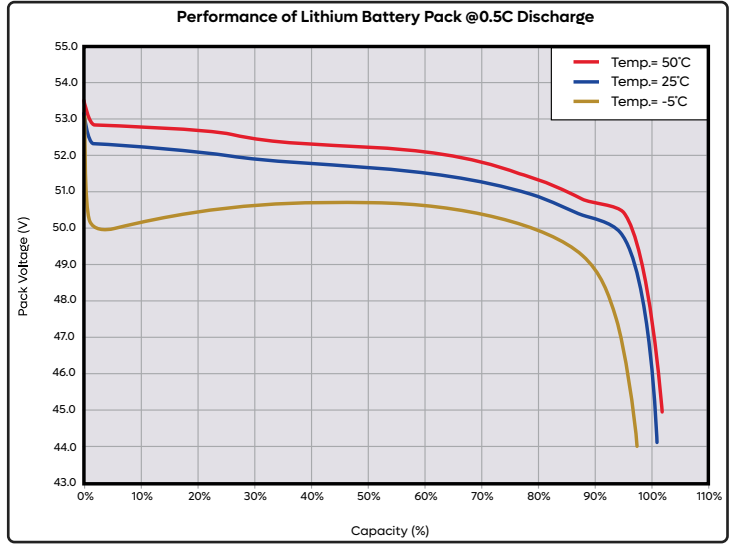
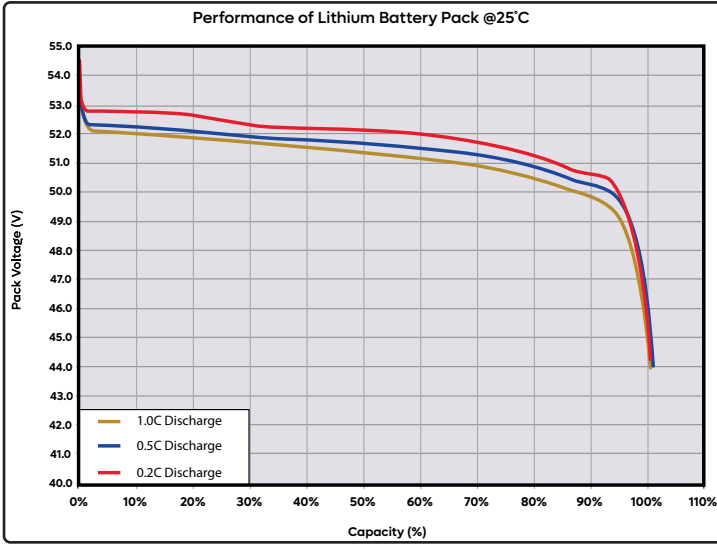
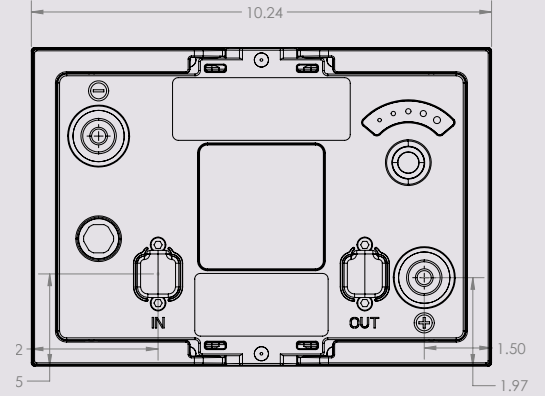
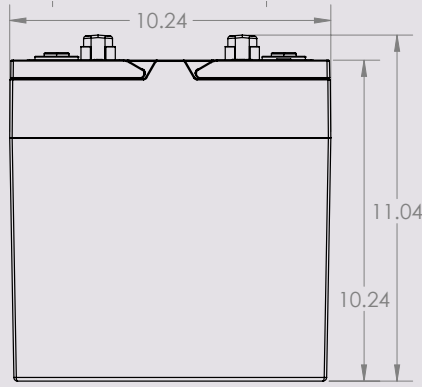
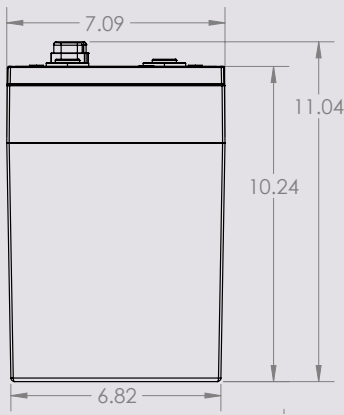
OPERATIONAL SPECIFICATIONS

Discharging	Charging	Storage
14°F~140°F (-10°C~60°C)	32°F~131°F (0°C~55°C)	50°F~95°F (10°C~35°C)

SAFETY/REGULATORY INFORMATION

Certifications				
Transport	Shipping Classification	Cells	Pack	Case
UN/DoT 38.3	UN3480, Class 9	UL2580	UL2271	UL94 V-0

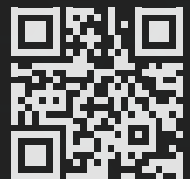




1675 Sampson Avenue
Corona, CA 92879
(800) 695-0945

1895 Tobacco Road
Augusta, GA 30906
(800) 522-0945

717 North Belair Rd.
Evans, GA 30809
(888) 811-0945



Data references within this publication are nominal and should not be considered or construed as maximum or minimum values for specifications or for final design. Data for this product type and model may vary from what is shown in this publication, and U.S. Battery Mfg. Co. makes no warranties, expressed or implied based on the data within this publication.

©2025 U.S. Battery Mfg. Co. All rights reserved. U.S. Battery is not liable for damages that may occur from any information provided in or omitted from this publication, under any circumstances. U.S. Battery Mfg. Co. reserves the right to make changes or adjustments to this publication at any time without notices or obligations.